

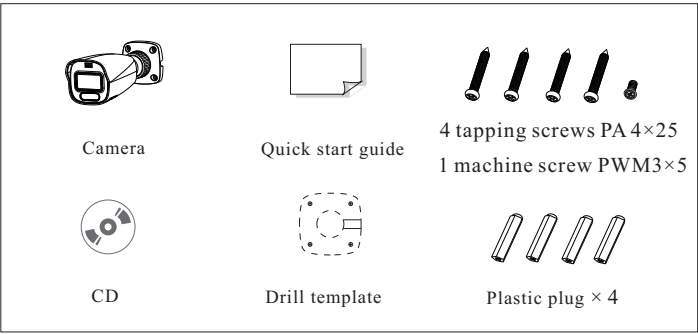
Network Camera Quick Start Guide

- Please read this instruction carefully before operating the unit and keep it for further reference.
- All the examples and pictures used here are for reference only.
- The contents of this manual are subject to change without notice.

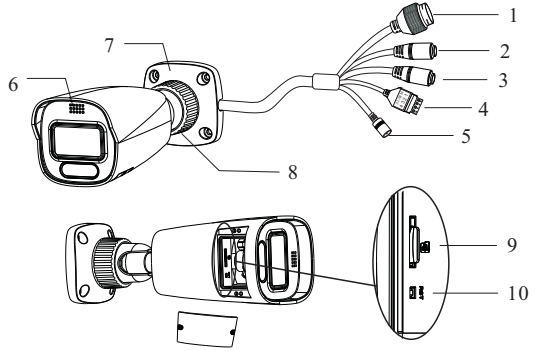
1 Warning and Caution

- If the product does not work properly, please contact your dealer or the nearest service center. Never attempt to disassemble the camera yourself. (We shall not be responsible for any problems caused by unauthorized repair or maintenance.)
- In the use of the product, you must be strict compliance with the electrical safety regulations of the nation and region. When the product is mounted on wall or ceiling, the device shall be firmly fixed.
- Do not allow water or liquid intrusion into the camera.
- Do not use camera beyond specified voltage range.
- Do not drop the camera or subject it to physical shock.
- Avoid touching the camera lens.
- If cleaning is necessary, please use clean cloth to wipe it gently.
- Do not aim the camera at the sun or extra bright place.
- Do not place the camera in extremely hot, cold (the operating temperature shall be -30°C~60°C), dusty or damp locations, and do not expose it to high electromagnetic radiation.
- To avoid heat accumulation, good ventilation is required for operating environment.

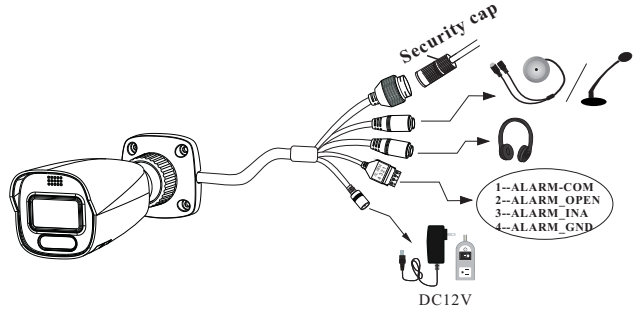
2 Package



3 Overview



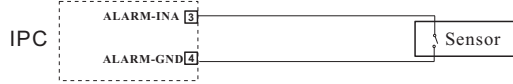
1	Ethernet connector	6	Speaker
2	Audio input connector	7	Mounting base
3	Audio output connector	8	Fixed ring
4	Alarm input/output	9	Micro SD card slot
5	Power connector	10	Reset



- * 1 It is recommended to install the security cap for outdoor installation.
- * 2 If the PoE switch is used to power the camera, DC12V power supply is not required.

▶ Connecting Alarm Input/Output

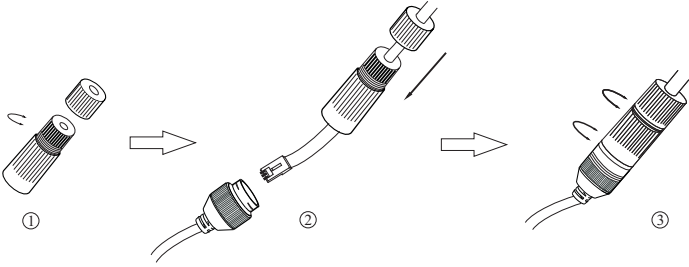
Alarm Input:



Alarm Output:



▶ Connecting Network Cable

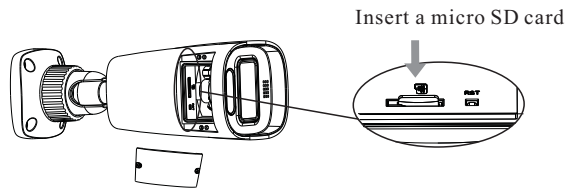


- ① Loosen the nut from the main element.
- ② Run the network cable (without RJ 45 connector) through the both elements. Then crimp the cable with RJ 45 connector.
- ③ Connect the cable to the hermetic connector. Then tighten the nut and the main cover.

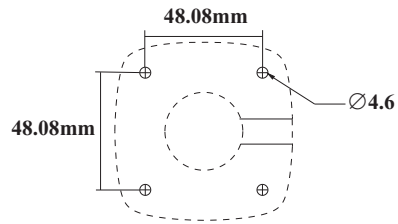
4 Installation

Please make sure that the wall or ceiling is strong enough to withstand 3 times the weight of the camera. Please install the camera under dry environment.

- ① Open the cover of the camera and then insert a micro SD card. Then install the cover back to the camera and fix it firmly with the screws. (Note that the cover should not be installed unevenly.)

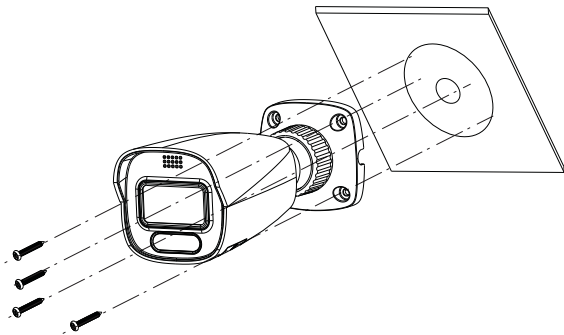


② Drill the screw holes and the cable hole on the wall according to the drill template.

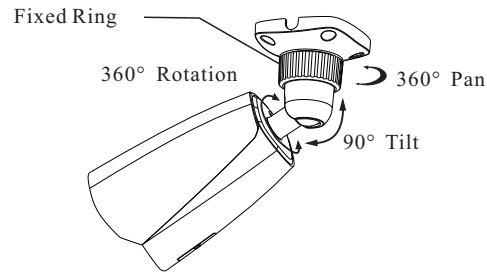


③ Route and connect the cables .

④ Secure the camera to the wall with the screws provided.



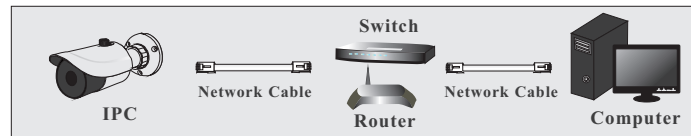
⑤ Bracket adjustment. Before adjustment, preview the image of the camera on a monitor and then loosen the fixed ring to adjust the view angle of the camera.



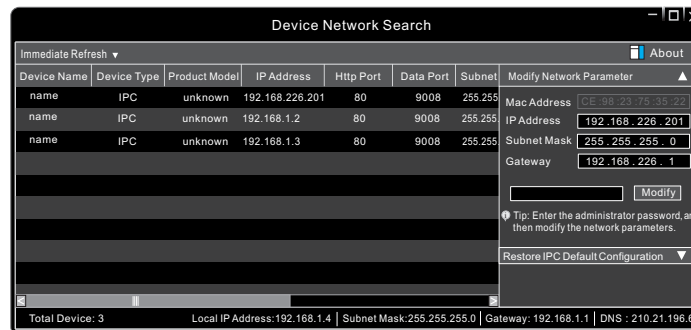
⑥ Tighten the fixed ring to complete the installation.

5 Network Connection

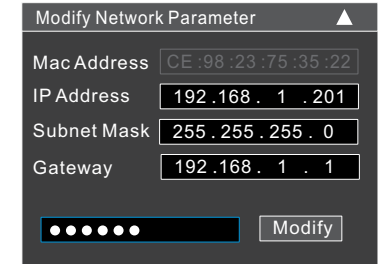
● Access the camera through IP-Tool



- ① Make sure that the camera and the PC are well connected via LAN.
- ② Find the IP-Tool from the CD and then install it in the computer. After that, run the IP-Tool as shown below.



③ Modify the IP address. The default IP address of this camera is 192.168.226.201. Click the information of the camera listed in the above table to show the network information on the right hand. Modify the IP address and gateway of the camera and make sure its network address is in the same local network segment as that of the computer. Please modify the IP address of your device according to the practical situation.



For example, the IP address of your computer is 192.168.1.4. So the IP address of the camera shall be changed to 192.168.1.X and the gateway shall be changed to 192.168.1.1. After modification, please enter the password of the administrator and click “Modify” button to modify the settings.

⚠ The default password of the administrator is “123456”.

④ Double-click the camera listed in the IP-Tool or manually enter the IP address in the address bar of the web browser to connect IP-CAM. Then follow directions to download and install the plugin.

⑤ Enter the username and password in the login interface.

⚠ The default username is *admin*; the default password is 123456.