

**TVT**

*Secure The World With You*

**HD** CCTV  
Over Coax



**1080P DISPLAY**

**1080P lite RECORD**

**1080P lite PLAYBACK**



**TD-2100TS-CL**

**TVT**

TVT DIGITAL TECHNOLOGY CO., LTD.

Address: 5F, North Block, CE Lighting House, Hi-Tech Park, Nanshan District, Shenzhen, Guangdong Province, P.R.China 518057  
Tel: +86-755-3330 6001  
Fax: +86-755-3330 6002  
Web site: [www.tvt.net.cn](http://www.tvt.net.cn)  
E-mail: [overseas@tvt.net.cn](mailto:overseas@tvt.net.cn)



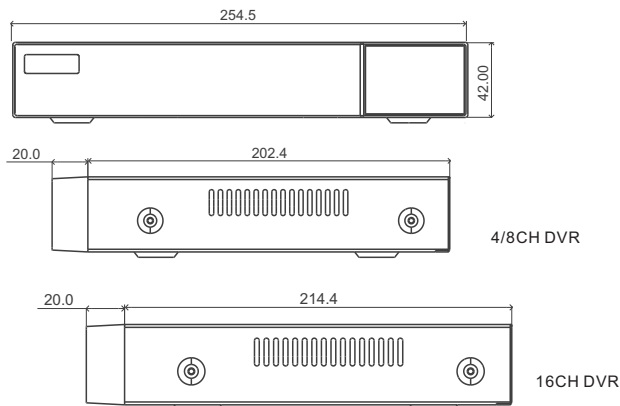
## Introduction

TD-2100TS-CL series are 4 / 8 / 16 CH 1080P lite high definition DVRs with ability to connect analog and IP cameras simultaneously, which adopt the standard H.264 high profile compression format and the most advanced SOC technique to ensure real time recording in each channel and realize outstanding robustness of the system. TD-2100TS-CL support 4 / 8 / 16 CH video input, 1 / 1 / 1 CH audio input, simultaneous 4 / 8 / 16 CH playback. The series of product can meet different security requirements of home, financial, commerce, enterprise, transportation and government, etc.

## Characteristics

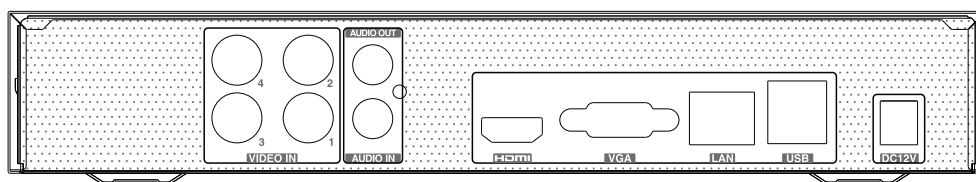
- 4 / 8 / 16 CH TVI / CVI / AHD video input
- 4 CH 1080P lite / 720P / WD1 recording
- 8 / 16 CH 1080P lite / 720P / 720P lite / WD1 recording
- 4 / 8 CH DVRs support 1 / 1 CH IPC 1080P / 960P / 720P recording
- 16 CH DVRs support 2 CH IPC 3MP / 1080P / 960P / 720P recording
- Adopt standard H.264 high profile compression format to get high-quality video at much lower bit rate
- Intuitive and user-friendly Graphics User Interface ( GUI ), window style operation by mouse
- Multi-mode recording: manual / timer / motion
- Playback : 4 / 8 / 16 CH simultaneously playback
- Search: time slice, time, event, tag and smart search
- Express and flexible backup via USB, network and so on
- Pentaplex: preview, record, playback, backup and remote access
- DHCP, DDNS, PPPoE network protocol
- Remote control via Web Client or CMS : preview, playback, backup, PTZ and configuration
- Dual stream technology for local storage with high definition, remote network transmission and remote surveillance with mobile device
- Multi-user online simultaneously
- Authorization management, log review and device status review
- HDMI 1080P output, true high resolution display
- Support PTZ preset and auto cruise, up to 255 presets and 8 cruises
- Support NAT function and QRCode scanning by mobile phones
- Powerful mobile surveillance with iOS and Android OS

## Dimensions

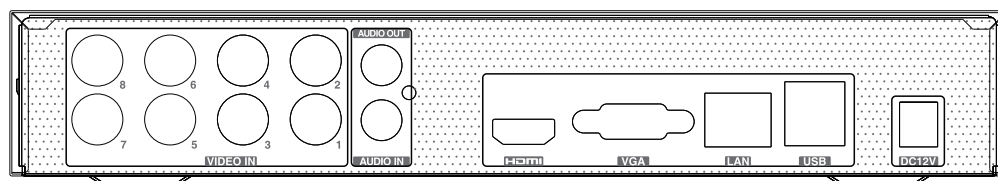


## Rear Panels

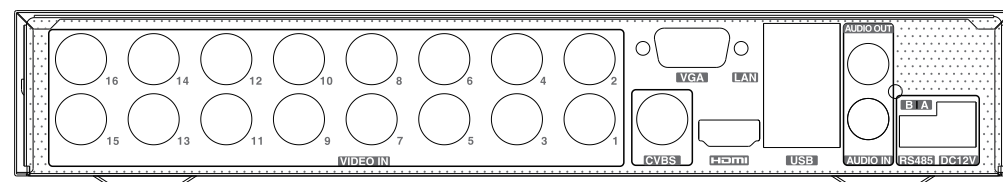
### TD-2104TS-CL



### TD-2108TS-CL



### TD-2116TS-CL



## Specification

| Model        |                     | TD-2104TS-CL   | TD-2108TS-CL   | TD-2116TS-CL   |
|--------------|---------------------|--|--|--|
| System       | OS                  | Embedded Linux   |  |  |
| Video        | Analog Video Input  | BNC × 4  | BNC × 8  | BNC × 16   |
|              |                     | BNC interface (2.0Vp-p; 1KΩ)   |  |  |
|              |                     | TVI/AHD/CVI : 1080P Lite /720P/WD1 @30fps  | TVI/AHD/CVI : 1080P Lite /720P/720P Lite /WD1  |  |
|              | IP Video Input      | 1CH (up to 5CH)  | 1CH (up to 9CH)  | 2CH (up to 4CH)  |
|              |                     | Up to 1080P@30fps  |  | Up to 3MP@25fps  |
|              | Total Input         | 5CH  | 9CH  | 18CH   |
|              | Output              | HDMI × 1 : 1920 × 1080 / 1280 × 1024 / 1024 × 768<br>VGA × 1 : 1920 × 1080 / 1280 × 1024 / 1024 × 768                        |  | HDMI × 1 :<br>1920 × 1080 / 1280 × 1024 / 1024 × 768<br>VGA × 1 :<br>1920 × 1080 / 1280 × 1024 / 1024 × 768<br>BNC × 1 : CVBS ( used as the main or spot output )  |
| Compression  | H.264               |  |  |  |
| Audio        | Input               | RCA × 1  |  |  |
|              | Output              | RCA × 1 (linear, 600Ω)   |  |  |
|              | Two-way audio       | Take up channel one audio input  |  |  |
|              | Compression         | G.711(U/A)   |  |  |
| Record       | Resolution          | 1080P Lite /720P/WD1   | 1080P Lite /720P/720PLite/WD1  | 1080P Lite /720P/720PLite/WD1  |
|              | Frame Rate          | 25fps (PAL) / 30fps (NTSC)   | Analog channel:<br>1080P Lite/720P: 12fps/15fps (PAL/NTSC)<br>720P Lite/WD1: 25 / 30fps (PAL/NTSC)<br>IP channel: 25fps (PAL) / 30fps (NTSC) | Analog channel:<br>1080P Lite: 12fps(PAL/NTSC)<br>720P: 12fps (PAL) / 15fps (NTSC)<br>720P Lite/WD1: 25/30fps (PAL/NTSC)<br>IP channel: 25fps (PAL) / 30fps (NTSC) |
|              | Bit Rate            | 768Kbps ~ 4Mbps  |  |  |
|              | Mode                | Manual, timer, motion, smart event   |  |  |
| Playback     | Playback            | 4CH  | 8CH  | 16CH   |
|              | Search              | Time slice / time / event / tag search   |  |  |
|              | Smart Search        | Highlight colors to display the camera record in a certain period of time, different colors refer to different record events |  |  |
|              | Function            | Play, pause, FF, FB, digital zoom, etc.  |  |  |
| Alarm        | Mode                | Manual, motion, exception, smart event   |  |  |
|              | Input               | No   |  |  |
|              | Output              | No   |  |  |
| Network      | Interface           | RJ 45 100Mbps × 1  |  |  |
|              | Protocol            | TCP / IP, PPPoE, DHCP, DNS, DDNS, UPnP, HTTP, HTTPS, NTP, SMTP   |  |  |
|              | Incoming Bandwidth  | 4Mbps (Max.20Mbps)   | 4Mbps(Max. 36Mbps)   | 6Mbps(Max. 12Mbps)   |
|              | Outgoing Bandwidth  | 12Mbps   | 18Mbps   | 32Mbps   |
| MobileDevice | OS                  | iOS, Andriod   |  |  |
| Storage      | HDD                 | SATA× 1, up to 6TB   |  |  |
| Backup       | Local Backup        | U disk, USB mobile HDD   |  |  |
|              | Network Backup      | Yes  |  |  |
| Port         | RS 485              | No   | RS 485×1   |  |
|              | USB                 | USB 2.0 × 2  |  |  |
|              | Remote Controller   | Optional   |  |  |
| Others       | Power Supply        | DC12V / 1.5A   |  | DC12V / 2A   |
|              | Consumption         | ≤ 5W ( without HDD )   |  |  |
|              | Dimensions(mm)      | 255 × 222 × 42( W × D × H )  |  | 255 × 234 × 42( W × D × H )  |
|              | Working Environment | -10~50°C, 10%~90% (humidity)   |  |  |